

KEY FEATURES

- 6 INCH SPEAKER
- 1 INCH DRIVER
- ULTRA LOW DISTORTION SYSTEM
- LOW PROFILE COMPACT DESIGN
- 15MM WOODEN CABINET
- RUGGED DURABLE PAINTING FINISH
- HEAVY DUTY POWDER-COATED 15 STEEL GRILLE



TECHNICAL PARAMETERS

TYPE

Drivers

Frequency Range

Power Handling capacity

Sensitivity

Rated impedance

SLP

Coverage

Construction

Dimensions

Net Weight

6.5" TWO WAY PASSIVE FULL RANGE SPEAKER

LF:6.5" speaker, 100mm magnet, 30mm voice coil overheat-proof

HF:1x1" diaphragm driver, Protection to overcurrent&over voltage

75Hz-20KHz

100W RMS

93db /1W /1m

8Ω

105db continue, 111db peak

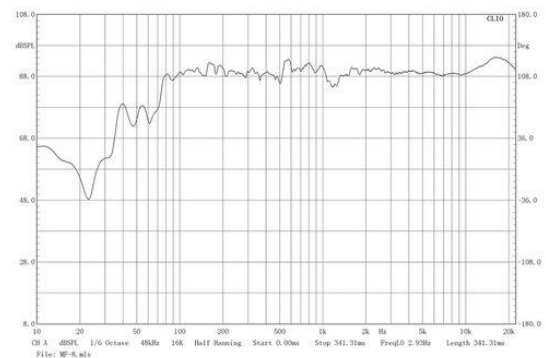
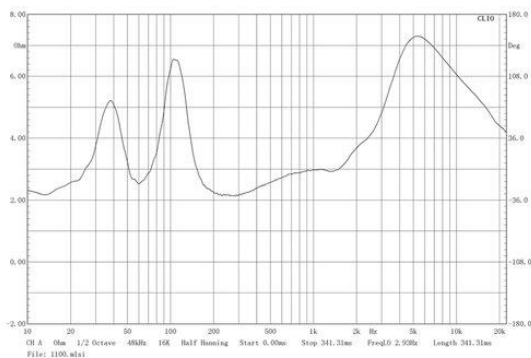
70 x 50 degree

15mm Plywood cabinet. Black painting

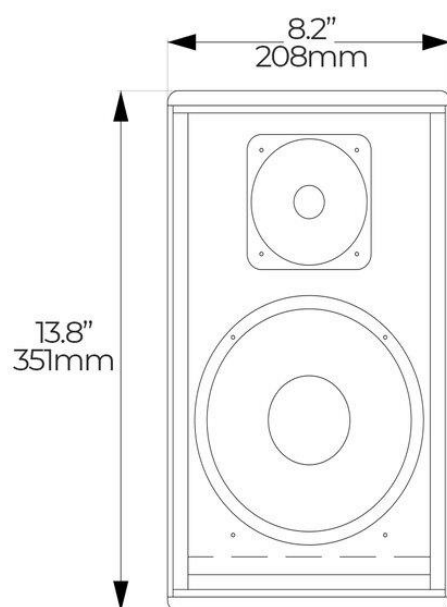
8.1" x 13.8" x 9.5" / 208mm x 351mm x 240mm

143.3 lb / 6.5Kg

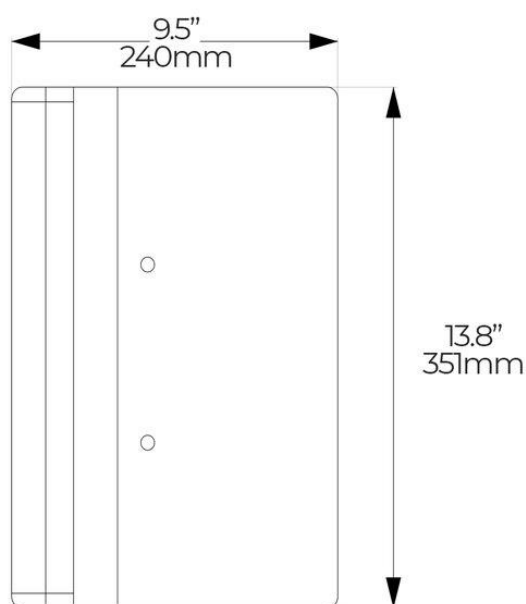
FREQUENCY RESPONSE



TECHNICAL DRAWINGS



FRONT VIEW



SIDE VIEW

ALL DIMENSIONS ARE IN MILLIMETERS.