

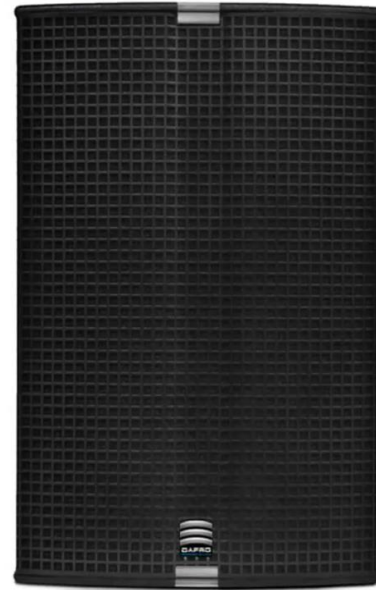


Model : V15

PROFESSIONAL SERIES
DESIGNED IN HOLLYWOOD

KEY FEATURES

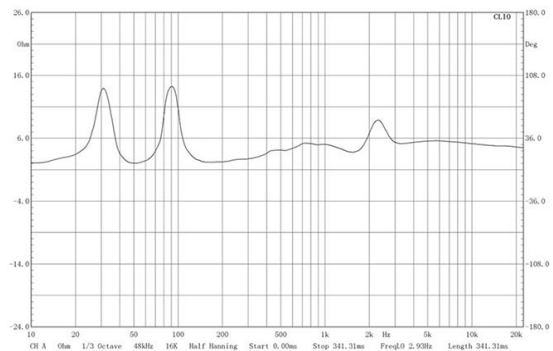
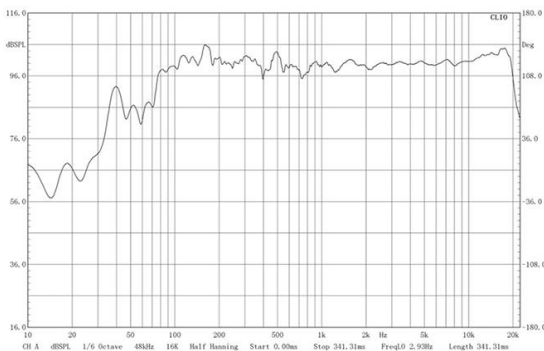
- 15 INCH SPEAKER
- 1.4 INCH COMPRESOR DRIVER
- ULTRA LOW DISTORTION SYSTEM
- LOW PROFILE COMPACT DESIGN
- ENCLOSURE CONSTRUCTION 18MM PLYWOOD
- RUGGED DURABLE PAINTING FINISH
- HEAVY DUTY PODWER-COATED 1.5 STEEL GRILLE
- FREQUENCY RANGE 53Hz-19000Hz



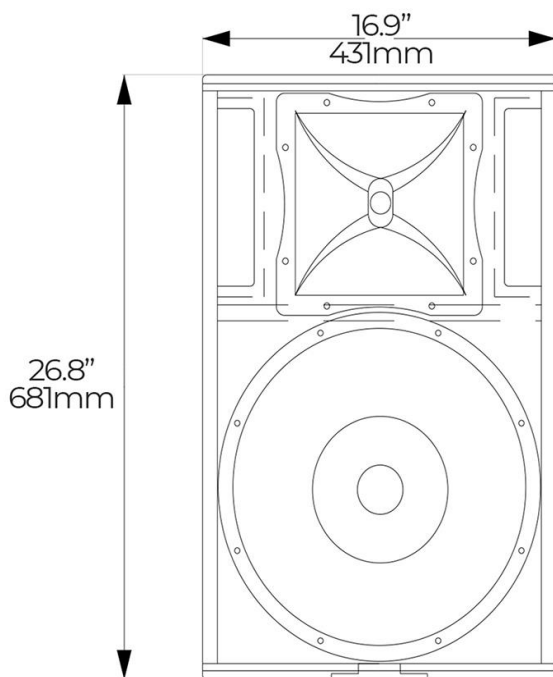
TECHNICAL PARAMETERS

TYPE	15" TWO WAY PASSIVE FULL RANGE SPEAKER
Drivers	LF: 1x15" speaker, 190mm magnet, 75mm voice coil HF: 1x1.75" diaphragm driver, protector for over circuit/voltage
Frequency Range	53Hz-19KHz
Power Handling capacity	500W RMS
Sensitivity	98db / 1W / 1m
Rated impedance	8Ω
SLP	123db continue, 129db peak
Coverage (H x V)	50° -100° x 55° asymmetric horn
Construction	18mm Birch plywood cabinet. Black Color
Dimensions	16.9" x 26.8" x 18.2" / 431mm x 681mm x 463mm
Net Weight	65.1 lb / 29.5Kg

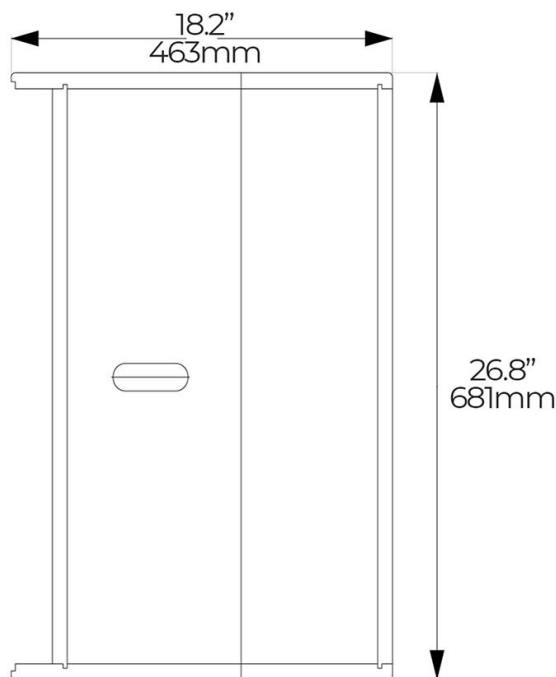
FREQUENCY RESPONSE



TECHNICAL DRAWINGS



FRONT VIEW



SIDE VIEW

ALL DIMENSIONS ARE IN MILLIMETERS.